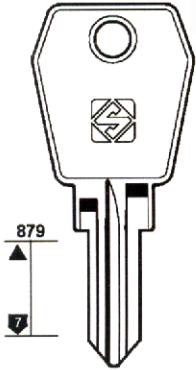



PER:
FOR:

EURO LOCKS

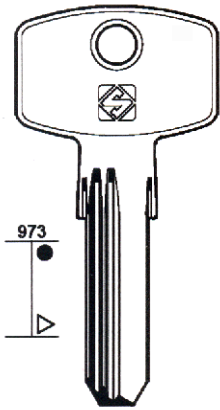


879




EU19

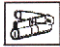
KALE



973



KLE8R

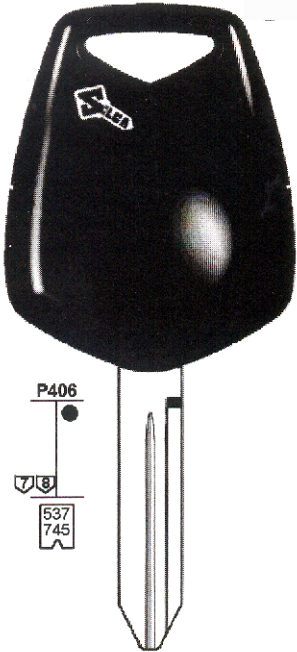



1

PER / FOR	
EURO LOCKS (B)	
KALE	(TR)
CHRYSLER	(USA)
FORD	(USA)
HYUNDAI	(ROK)


PER:
FOR:

CHRYSLER



P406


537
745



CY24EH2
L.....1-3580
M.....1-2618


PER:
FOR:

FORD USA



P430

612

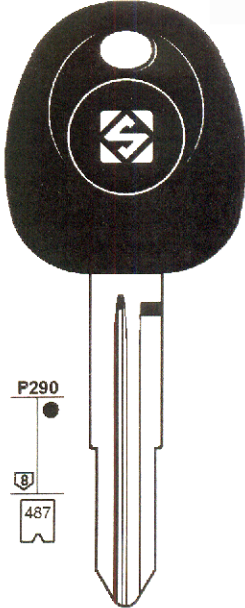


FO38RT17
.....X
0001-1706

STRATTEC


PER:
FOR:

HYUNDAI



P290

487



HYN6T14
T.....1 1000

Copyright by Silca S.p.A. 2007

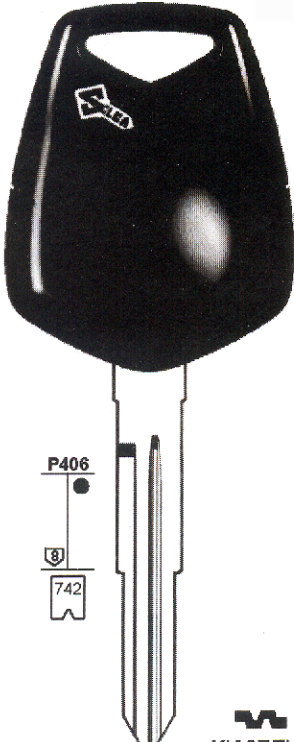


2


PER / FOR	
KIA	(ROK)
MITSUBISHI	(J)
NISSAN	(J)
YAMAHA	(J)

PER:
FOR:

KIA



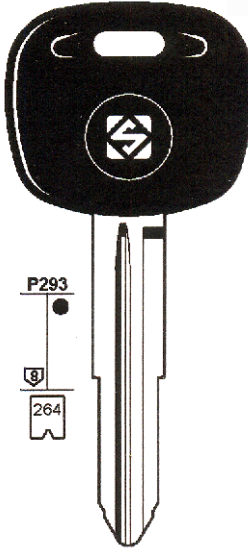
P406
742




KIA6REH2
Y....2001-3000

PER:
FOR:

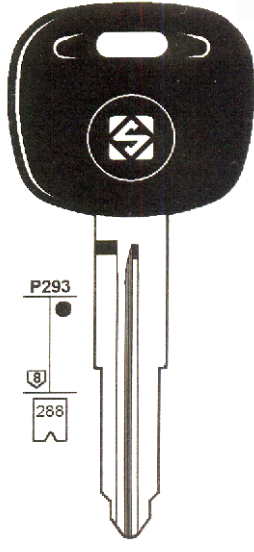
MITSUBISHI




P293
264



MIT8T21
E....5001-7000
E....7001-7700



P293
288



MIT11RT21
.....30010-32009

PER:
FOR:

NISSAN



P264
607



NSN19T13
.....30001-37850



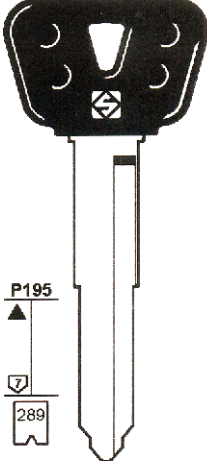
P264
607




NSN14T14
.....1-22185

PER:
FOR:

YAMAHA



P195
289



YH35BP
A....7001-8500
B....7001-8000
C....7001-8000